

# 12x Analog 960H PTZ

## SPSD-A1204NC-CS



Surface mount  
bracket included



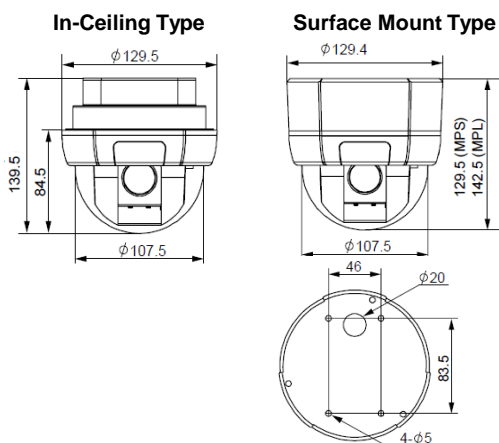
### Key Features

- 1/4" SONY 960H Super HAD II Double scan CCD
- x384 Zoom (Optical x12 / Digital x32)
  - f = 3.8mm ~ 45.6mm / F1.6(wide) ~ F2.7(tele)
- 700TVL resolution
- Superior camera functions
  - Day & Night( ICR )
  - Wide Dynamic Range
  - Digital Noise Reduction ( 2D + 3D )
  - Digital Image stabilization
- Fast & Silent motion
- No accumulate error with preset function( 127 presets)
- Max 360°/sec P/T speed and 0.05°/sec manual speed
- 4 patterns , 8 swings and 8 Groups
- True Day & Night with ICR (IR Cut Filter)
- Power : DC 12V / 0.8A

### Ordering Information

- SPSP-A1204NC-CS: NTSC , Indoor
- SPSP-A1204PC-CS: PAL , Indoor

### Dimensions(mm)



### Technical Specifications

Model	SPSD-A1204NC-CS	SPSD-A1204PC-CS	
Signal Format	NTSC	PAL	
Camera	Image Device	1/4" 960H Super HAD II CCD( Double scan)	
	Effective Pixel	1028(H) x 508(V) / 520K	1028(H) x 596(V) / 610K
	H. Resolution	MIN. 700 TV Lines (Color) / MIN. 750 TV Lines (B/W)	
	S/N Ratio	More than 50 dB (AGC Off)	
	Zoom	Optical X12 and Digital X32	
	Focal Length	F1.6(Wide) / F2.7(Tele), f=3.8 ~ 45.6mm	
	MIN. Illuminance	Color 0.5 Lux / BW 0.2Lux Color DSS 0.001 Lux / B/W 0.0004 Lux	
	Day & Night	Day / Night (IR Cut Filter) / Auto / Ext	
	Focus	Auto / One push / Manual	
	Exposure	Auto / Shutter PRI. / Iris PRI. / Manual	
	Shutter Speed	1/60(50) ~ 1/10000 SEC. (x2 ~ x512 SENS-Up)	
	AGC	Off / On ( Max 30dB)	
	White Balance	Auto / One push / Indoor / Outdoor / Manual	
	WDR / BLC	On / Off	
	Flickerless	Selectable	
	DNR	Off / Manual / Auto	
	Privacy Mark	Off / 16 Masks	
	Motion Detection	Off / 3 Positions	
	DIS	Off / On	
	Other functions	HLC / Mirror / Freeze / Scene mode / HR / Mirror / Sharpness / Brightness /	
Pan/Tilt	Range	Pan : 360°(Endless) / Tilt : 90°	
	Pan/Tilt Speed	Preset : 360° / SEC.	
		Manual : 0.05° ~ 360° / SEC. (Zoom Proportional)	
		Swing : 1° ~ 180° / SEC.	
	Preset	128 Presets with Labels / Independent Preset Parameter Setup	
	Pattern	4 Patterns (Approximate 5 Minutes for Each Pattern)	
	Swing	8 Swings	
	Group	8 Groups (MAX. 20 Entries for Each Group)	
Other Functions	Auto Flip, Auto Parking, Power-up Action & etc.		
General	Communication	RS-485	
	Protocol	Pelco-D, Pelco-P Selectable	
	OSD	English On / Off	
	Dimension	Dome : $\phi$ 107.5 mm / $\phi$ 4.2"	
		Housing : 132( $\phi$ ) x 129.5(H) mm / 5.2" ( $\phi$ ) x 5.1" (H)	
	Weight	Approximate 0.8 Kg	
	Material	Dome : Poly Carbonate / Housing : Aluminum	
	Operating Temp.	0°C ~ 40°C / 32°F ~ 104°F	
	Power	DC 12V / 0.8A	
	Sensor In/Out	3 Inputs (Photo Coupler Type) / 1 Output (Relay Type)	

All specifications are subject to change without notice